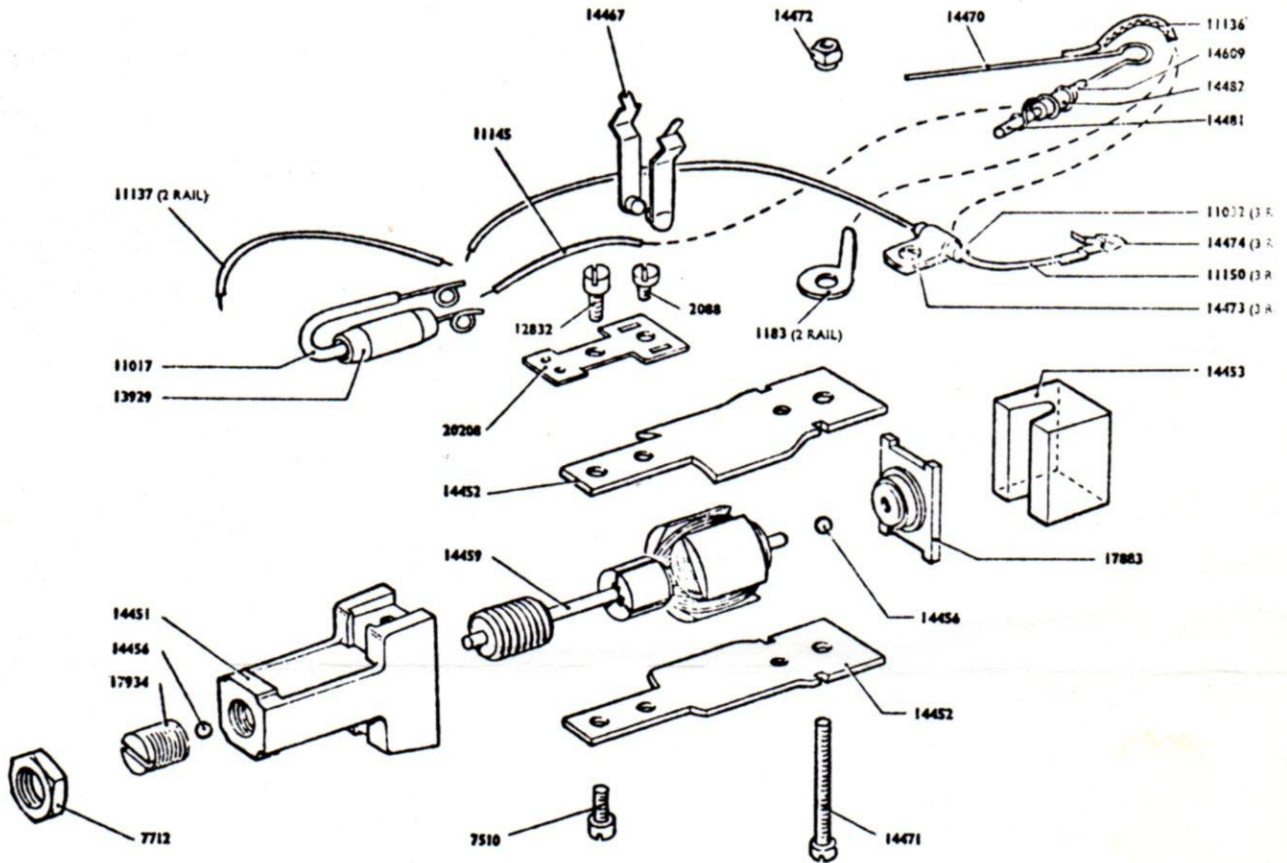




**HORNBY-DUBLO 1/2" MOTOR 2 AND 3-RAIL**

LOCOMOTIVES Nos. 2206 AND 2207 2-RAIL — LOCOMOTIVES Nos. 3220 AND 3225 3-RAIL  
2220 2225



- 14451 Bearing casting
- 14452 Pole piece
- 14453 Magnet
- 17883 Fixed bearing support assembly
- 14456 Ball bearing
- 17934 Adjustable bearing assembly
- 7712 Lock nut
- 14459 Armature shaft assembly
- 20208 Insulator for brush arms
- 14467 Brush arm assembly
- 14470 Brush spring
- 14609 Cambric sleeve
- 14481 Copper strip

2 or 3  
Rail

- 14482 Condenser
- 11136 Tinned copper braid
- 13929 Choke
- 11017 P.V.C. sleeve
- 11145 Connecting wire
- 14471 Screw
- 14472 Nut
- 12832 Screw
- 2088 Screw
- 7510 Screw
- 1183 Soldering tag
- 11137 Connecting wire
- 14473 Clamp
- 11032 P.V.C. sleeve
- 11150 Connecting wire
- 14474 Plug

2 or 3  
Rail

2 rail only

3 rail only