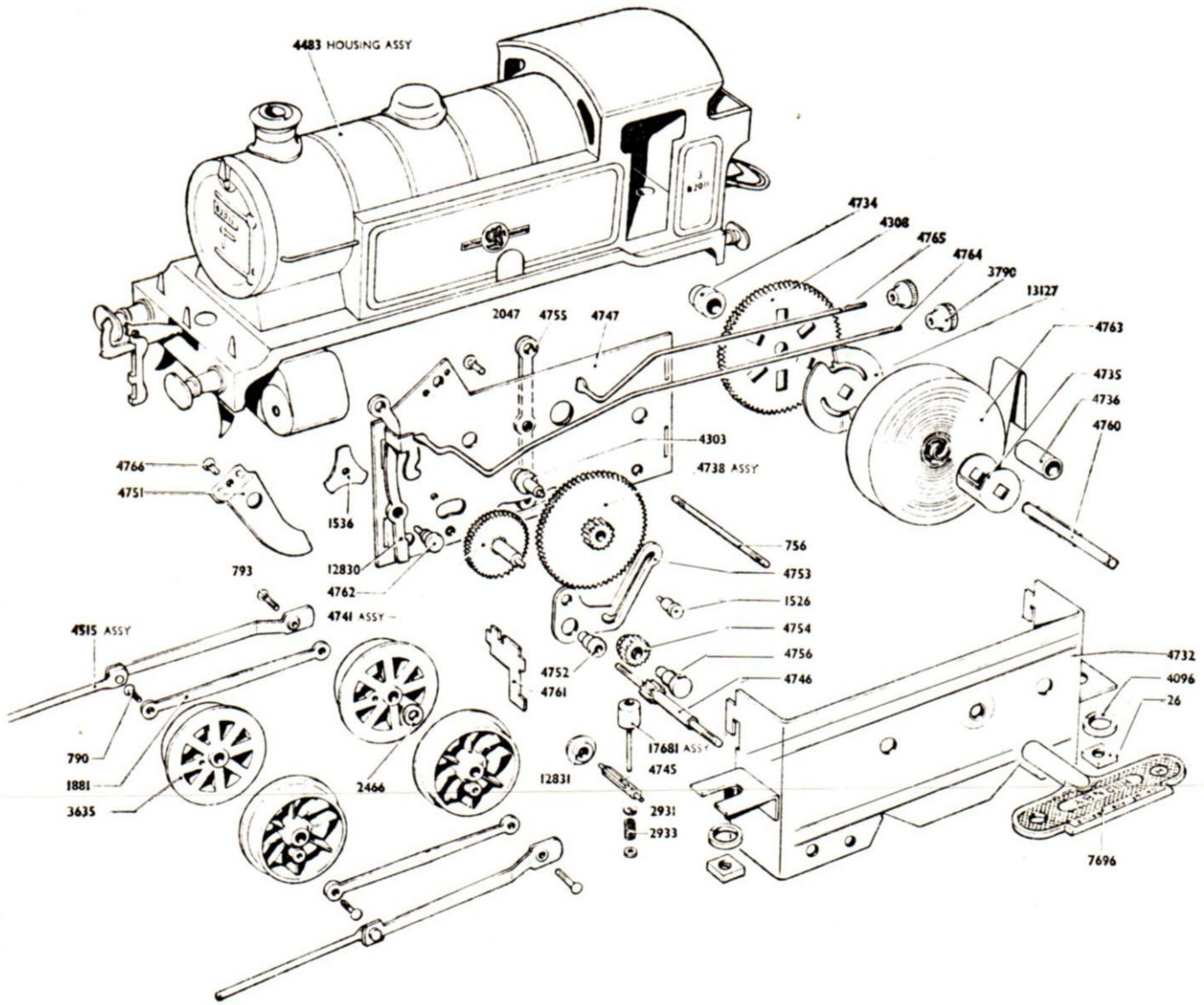


No. 40 CLOCKWORK TANK LOCOMOTIVE—COMPLETE



- 4483 Housing assembly
- 4096 Spring washer
- 26 Nut securing motor to housing
- 7696 Winding key
- No. 40 Motor 4769**
- 4747 Sideplate R.H.
- 4755 Control lever
- 4752 Bush securing job 4753
- 2047 Rivet securing job 4755
- 4753 Reversing lever
- 1526 Stud for job 4755
- 4754 Reversing pinion
- 4756 Bearing stud for Job 4754
- 2830 Brake lever
- 1536 Spring washer
- 4738 No. 2 gear and pinion assembly
- 4751 Bracket for No. 2 pinion spindle
- 4762 Fulcrum pin for job 12830
- 4766 Rivet securing job 4751
- 4303 Stud for No. 2 gear and pinion
- 4732 Sideplate assembly L.H.

Sideplate
Assy. R.H.
4731

- 4734 Distance bush
- 4735 Spring catch
- 4736 Spring catch bush
- 4308 No. 1 gear wheel
- 13127 Ratchet
- 4760 Winding shaft
- 4741 No. 3 gear and pinion assembly
- 4745 Governor pinion
- 17681 Pin and weight assembly
- 2933 Spring
- 2931 Washers
- 12831 Brake disc
- 4515 Piston and connecting rod assembly
- 4746 Driving pinion spindle
- 4761 Brake catch
- 4763 Mainspring
- 3635 Driving wheels
- 756 Axle
- 1881 Coupling rod
- 790 Pin securing job 1881

No. 1
Gear Assy.
4733

Assy.
Governor
4744

- 4764 Brake rod
- 4765 Reverse rod
- 3790 Nut
- 2466 Washer for spindle
- 793 Pin for connecting rod